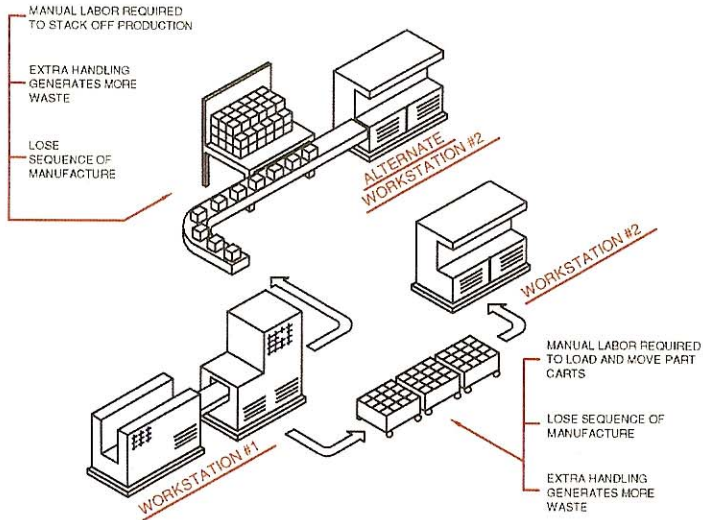


A

THE PROBLEM

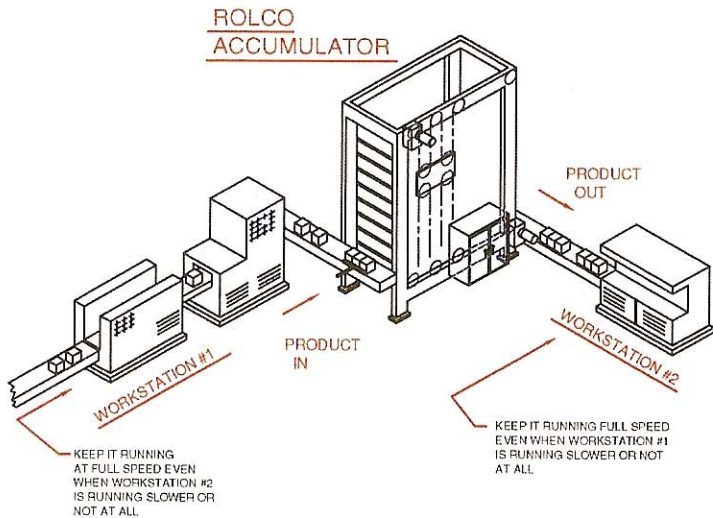
HOW IS IT POSSIBLE TO TIE TWO PIECES OF PRODUCTION EQUIPMENT TOGETHER THAT OPERATE AT DIFFERENT RATES AND EFFICIENCIES?



B

THE SOLUTION

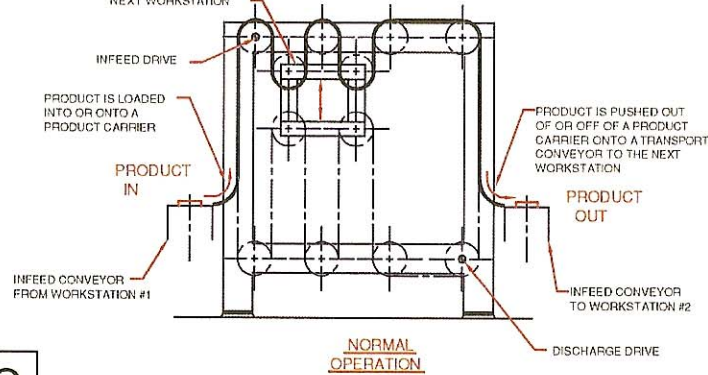
INTERFACE TWO PIECES OF PRODUCTION EQUIPMENT WITH A ROLCO VERTICAL PRODUCT ACCUMULATOR



C₁

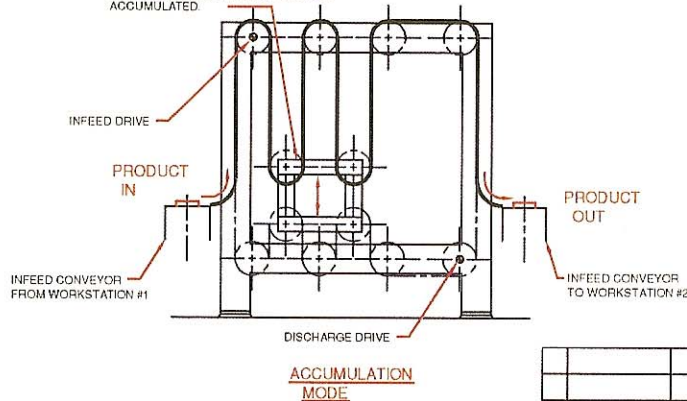
POSITIVELY THE MOST UNIQUE ACCUMULATION PRINCIPLE IN THE WORLD!

IN NORMAL OPERATION, THE INFEEED DRIVE CYCLES AND THE UNISLIDE MOVES DOWN SLIGHTLY AS THE PRODUCT CARRIER MOVES UPWARD AT THE INFEEED AFTER BEING LOADED. THE DISCHARGE DRIVE THEN CYCLES, MOVING THE UNISLIDE UPWARD SLIGHTLY BECAUSE A FULL PRODUCT CARRIER IS PULLED DOWN TO THE NEXT WORKSTATION



C₂

WHEN WORKSTATION #2 MALFUNCTIONS AND IS BEING REPAIRED, THE PRODUCT FROM WORKSTATION #1 IS ACCUMULATED IN THE ROLCO ACCUMULATOR, AS THE INFEEED CONTINUES TO OPERATE, MOVING THE UNISLIDE DOWNWARD. AS SOON AS WORKSTATION #2 IS REPAIRED, THE ACCUMULATOR DISCHARGE DRIVE CAN OPERATE AT A FASTER RATE WHICH WILL DEplete WHAT WAS PREVIOUSLY ACCUMULATED



KEY FEATURES AND BENEFITS OF THE ROLCO VERTICAL PRODUCT ACCUMULATOR:

1. PRODUCTION LINE DOWNTIME IS SIGNIFICANTLY REDUCED, THEREBY INCREASING PRODUCTION EFFICIENCIES AND OPERATING PROFITS
2. FIRST-IN, FIRST-OUT METHOD OF ACCUMULATION ENSURES SEQUENCE OF MANUFACTURE IS MAINTAINED, THUS ENABLING EFFECTIVE QUALITY CONTROL
3. VERTICAL PRODUCT ACCUMULATION MAXIMIZES THE EFFECTIVE USE OF AVAILABLE MANUFACTURING SPACE
4. PRODUCT ORIENTATION IS MAINTAINED
5. SIMPLE INTERFACE WITH NEW OR EXISTING MACHINES
6. ALLEVIATES THE NEED TO HALT OR STACK OFF PRODUCTIONS
7. MINIMIZES PRODUCT DAMAGE
8. ALLOWS TWO OR MORE MACHINES WHICH OPERATE AT DIFFERENT EFFICIENCIES TO BE CONNECTED TOGETHER

				REMOVE ALL BURRS AND BREAK ALL SHARP EDGES	CONFIDENTIAL - PROPERTY OF	
				MACHINED SURFACES UNLESS OTHERWISE SPECIFIED TO BE 120° FRESH	 Rolco is a division of Nercon	
				TOLERANCES UNLESS OTHERWISE SPECIFIED .X = ± .1 .XX = ± .016 .XXX = ± .005 .XXXX = ± .0005 ANGLES = ± 1°	TITLE: ROLCO PATENTED VERTICAL ACCUMULATION PRINCIPLE SCALE: No. RF-75C	
LTR.	WAS	DATE	BY	DRAWN BY: _____ DATE: _____		